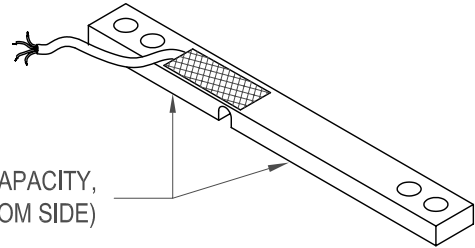


FUTEK MODEL LBB200 (L1501) CANTILEVER BENDING BEAM LOAD CELL

Drawing Number: FI1049-B

INCH [mm] R.O.= Rated Output

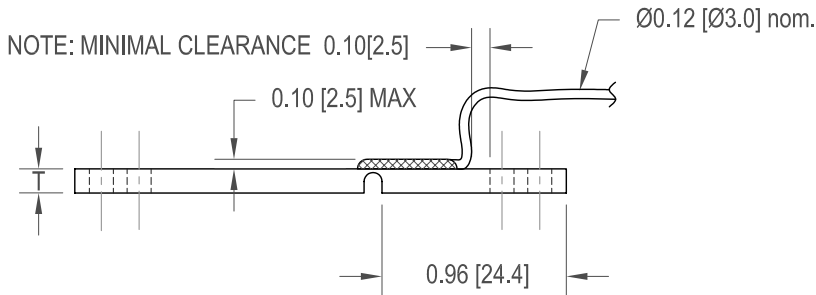
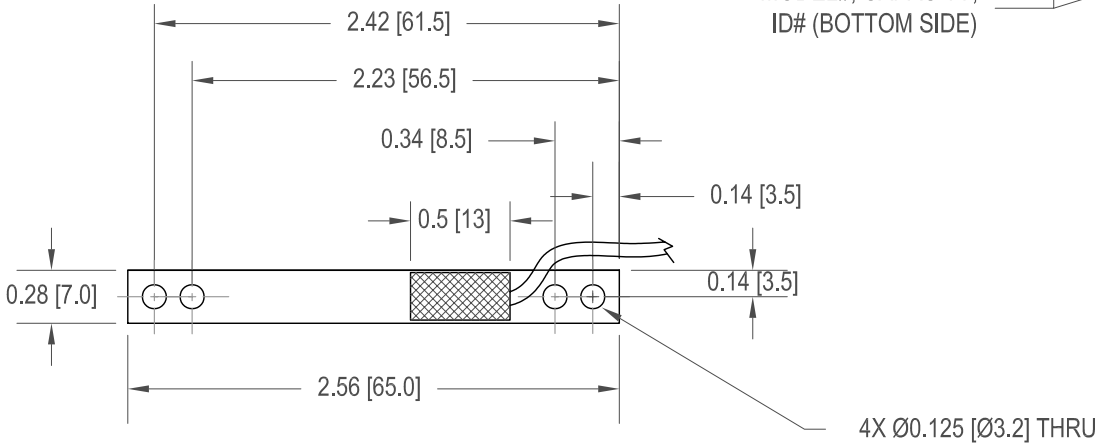
WIRING CODE (WC3)			
+Excitation	-Excitation	+Signal	-Signal
RED	WHITE	BLACK	GREEN
Shield			
FLOATING			



MODEL#, CAPACITY,
ID# (BOTTOM SIDE)



- OUTPUT
(COMPRESSION)



lb	CAPACITY		NOM. DEFLECTION	T
	lb	N		
FSH00887	1/4	1.1	0.022 [0.56]	0.12 [3]
FSH00888	1/2	2.2	0.016 [0.41]	0.12 [3]
FSH00889	1	4.5	0.011 [0.28]	0.12 [3]
FSH00890	2	8.9	0.008 [0.20]	0.12 [3]
FSH00891	5	22	0.010 [0.25]	0.18 [4.6]
FSH00892	10	44.5	0.008 [0.20]	0.18 [4.6]
FSH00893	25	111	0.015 [0.38]	0.18 [4.6]

SPECIFICATIONS:

RATED OUTPUT	1 mV/V nom.
SAFE OVERLOAD	150% of R.O.
ZERO BALANCE	±10% of R.O.
EXCITATION (VDC OR VAC)	18 MAX
BRIDGE RESISTANCE	1000 Ω nom.
NONLINEARITY	±0.05% of R.O.
HYSTERESIS	±0.05% of R.O.
NONREPEATABILITY	±0.01% of R.O.
TEMP. SHIFT ZERO	±0.02% of R.O./°F [0.036% of R.O./°C]
TEMP. SHIFT SPAN	±0.02% of LOAD/°F [0.036% of LOAD/°C]
COMPENSATED TEMP.	60 to 160°F [15 to 72°C]
OPERATING TEMP.	-45 to 200°F [-42 to 93°C]
WEIGHT	1 oz [28 g]
MATERIAL	17-4PH S.S.
DEFLECTION:	SEE CHART
CABLE: #28 AWG, 4 Conductor, Spiral Shielded PVC Cable 1 ft [0.3 m] Long	



SCIGATE AUTOMATION (S) PTE LTD

No.1 Bukit Batok Street 22 #01-01 Singapore 659592

Tel: (65) 6561 0488

Fax: (65) 6562 0588

Email: sales@scigate.com.sg

Web: www.scigate.com.sg

Business Hours: Monday - Friday 8.30am - 6.15pm



This drawing is submitted solely for the information and exclusive use of the original addressee. It is not to be divulged in whole or in part, by any firm or individual without written permission from FUTEK

10 THOMAS
IRVINE, CA 92618 USA
1-800-23-FUTEK (38835)

INTERNET:
<http://www.futek.com>