

FUTEK MODEL LAU220

Drawing Number: FI1048-D

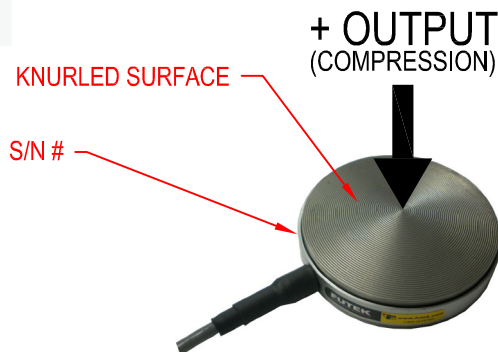
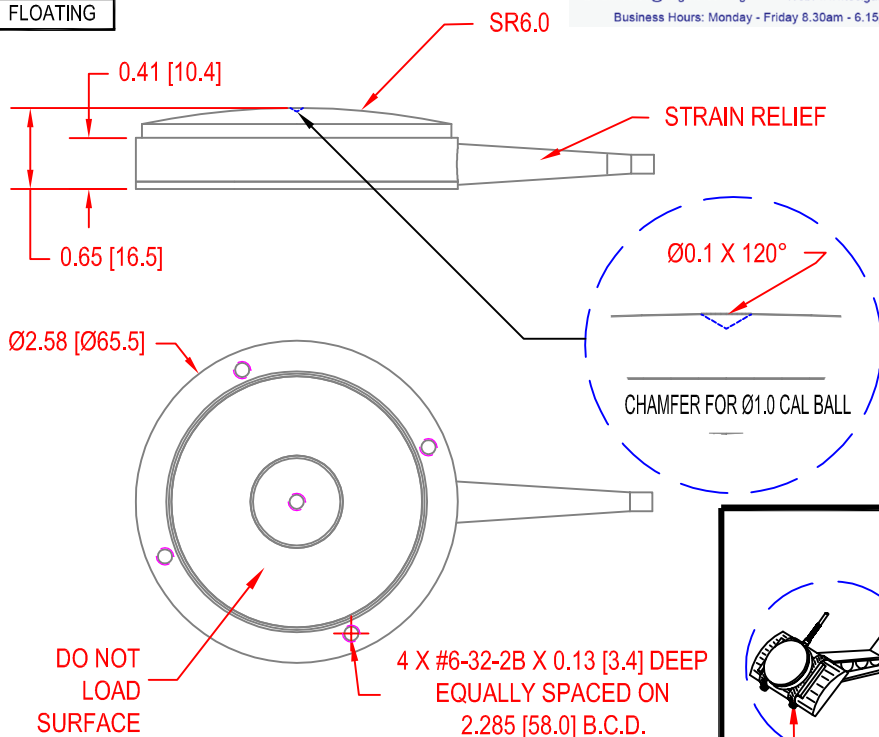
INCH [mm] R.O.= Rated Output

WIRING CODE (WC1)			
+Excitation	-Excitation	+Signal	-Signal
RED	BLACK	GREEN	WHITE
Shield			
FLOATING			



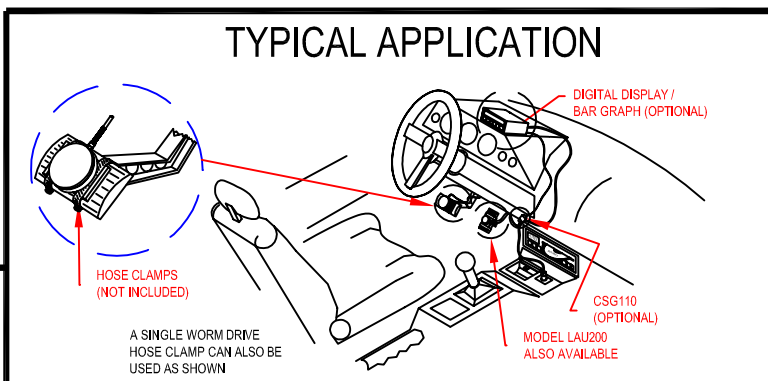
SCIGATE AUTOMATION (S) PTE LTD
 No. 1 Bukit Batok Street 22 #01-01 Singapore 659592
 Tel: (65) 6561 0488 Fax: (65) 6562 0588
 Email: sales@scigate.com.sg Web: www.scigate.com.sg
 Business Hours: Monday - Friday 8.30am - 6.15pm

SPIKE RESISTANT PEDAL FORCE SENSOR WITH IMPROVED OFF CENTER LOADING



MODEL LAU220 INCLUDES
 (ONE OF EACH)
 TOTAL WEIGHT 2 lb [0.9 Kg]

MOUNTING PLATE
 ITEM# MCP00218 ,
 ITEM# MCP01098
 100 KOHM SHUNT CAL.
 CARRYING CASE



MOUNTING PLATES (Aluminum, Clear Anodized)

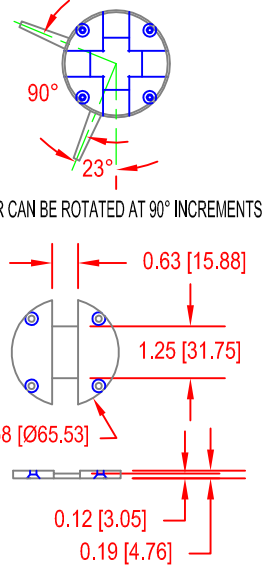
SPECIFICATIONS:

RATED OUTPUT 2 mV/V nom.
SAFE OVERLOAD 150% of R.O.
ZERO BALANCE ±3% of R.O.
EXCITATION (VDC OR VAC) 20 MAX
BRIDGE RESISTANCE 700 Ω nom.
OFF CENTER LOADING ±1% OR BETTER @ 0.625 [15.9] FROM CENTER
NONLINEARITY ±0.25% of R.O.
HYSTERESIS ±0.25% of R.O.
NONREPEATABILITY ±0.1% of R.O.
TEMP. SHIFT ZERO ±0.003% of R.O./°F [0.018% of R.O./°C]
TEMP. SHIFT SPAN ±0.01% of LOAD/°F [0.018% of LOAD/°C]
COMPENSATED TEMP. 60 to 160°F [15 to 72°C]
OPERATING TEMP. -60 to 200°F [-50 to 93°C]
WEIGHT 16 oz [454 g]
MATERIAL 17-4PH S.S.
MATERIAL (MOUNTING PLATE) Aluminum Red Anodized after S/N: 395536
DEFLECTION 0.006 [0.15] nom.
CABLE: #24 AWG, 4 Conductor, Braided Shielded PVC Cable 15 ft [4.5 m]
ACCESSORIES AND RELATED INSTRUMENTS AVAILABLE
CALIBRATION (STD) 5 pt. COMPRESSION; 100K Ω SHUNT CAL VALUE
CALIBRATION TEST EXCITATION 10 VDC

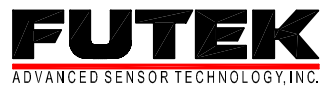
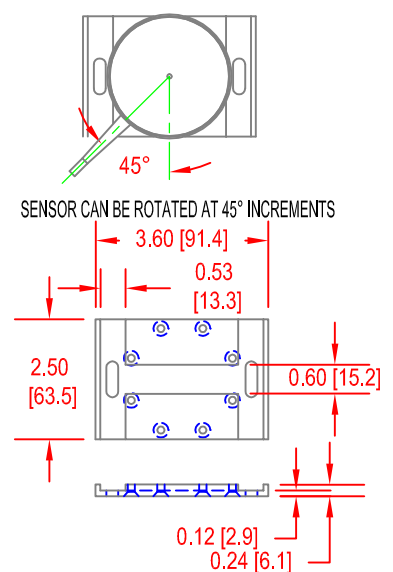
ITEM #	CAPACITIES	
	lb	N
FSH03184	300	1334
FSH02945	500	2224

*DUE TO WELDED CONSTRUCTION ZERO BALANCE MAY BE DONE AT CABLE END

ROUND PLATE ITEM# MCP01098



RECTANGULAR PLATE ITEM# MCP00218



This drawing is submitted solely for the information and exclusive use of the original addressee. It is not to be divulged in whole or in part, by any firm or individual without written permission from FUTEK

10 THOMAS
 IRVINE, CA 92618 USA
 1-800-23-FUTEK (38835)

INTERNET:
<http://www.futek.com>