



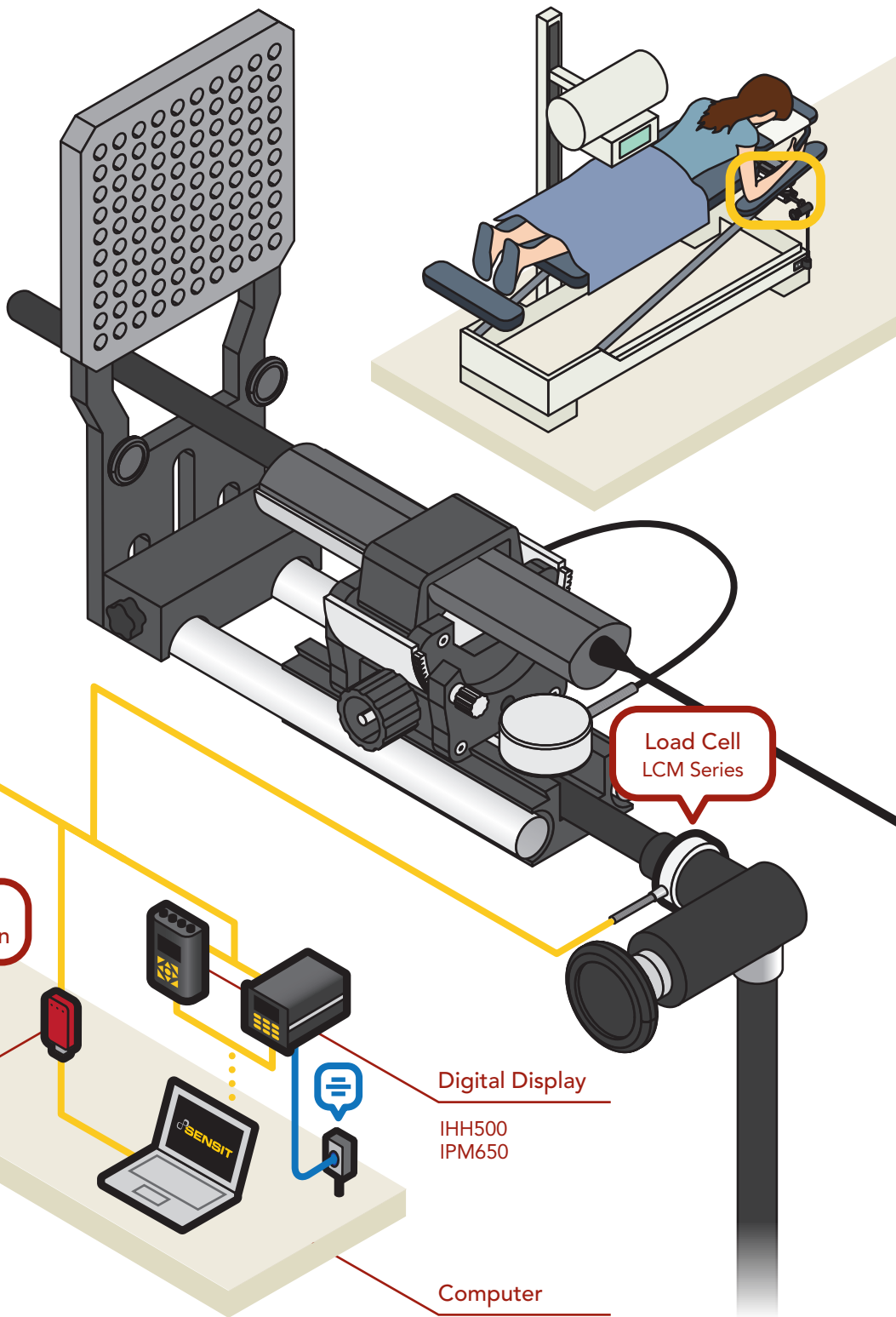
APPLICATION SUMMARY

Biopsies for the removal and study of suspect tissue require the simultaneous use and monitoring of real-time ultrasound, x-ray, CT, or MRI imaging while inserting and controlling the biopsy needle. Simplification and automating the biopsy process has the ability to reduce operator error and improve patient care, especially during the emotionally difficult time of cancer screening. To automate the biopsy process, a sub-miniature load cell is placed in-line with the biopsy syringe and control arm to monitor insertion forces.

PRODUCTS IN USE

FUTEK's Sub-Miniature Tension and Compression Load Cell (LCM Series) coupled with instrumentation (IAA Series).

All FUTEK application illustrations are strictly conceptual. Please contact us with questions.



Amplifier
IAA Series

PLC
Data Acquisition

Load Cell
LCM Series

USB Series

Digital Display

IHH500
IPM650

Computer

Sensor Solution Source

Load · Torque · Pressure · Multi Axis · Calibration · Instruments · Software

www.futek.com



SCIGATE AUTOMATION (S) PTE LTD

No.1 Bukit Batok Street 22 #01-01 Singapore 659592
 Tel: (65) 6561 0488 Fax: (65) 6562 0588
 Email: sales@scigate.com.sg Web: www.scigate.com.sg

Business Hours: Monday - Friday 8.30am - 6.15pm



U.S. Manufacturer