



PRODUCTS IN USE

FUTEK designed two cryogenic load cells able to operate within the cryoradiator of the VIIRS component at the extreme temperature of -300°F (-184°C).

All FUTEK application illustrations are strictly conceptual.
Please contact us with questions.

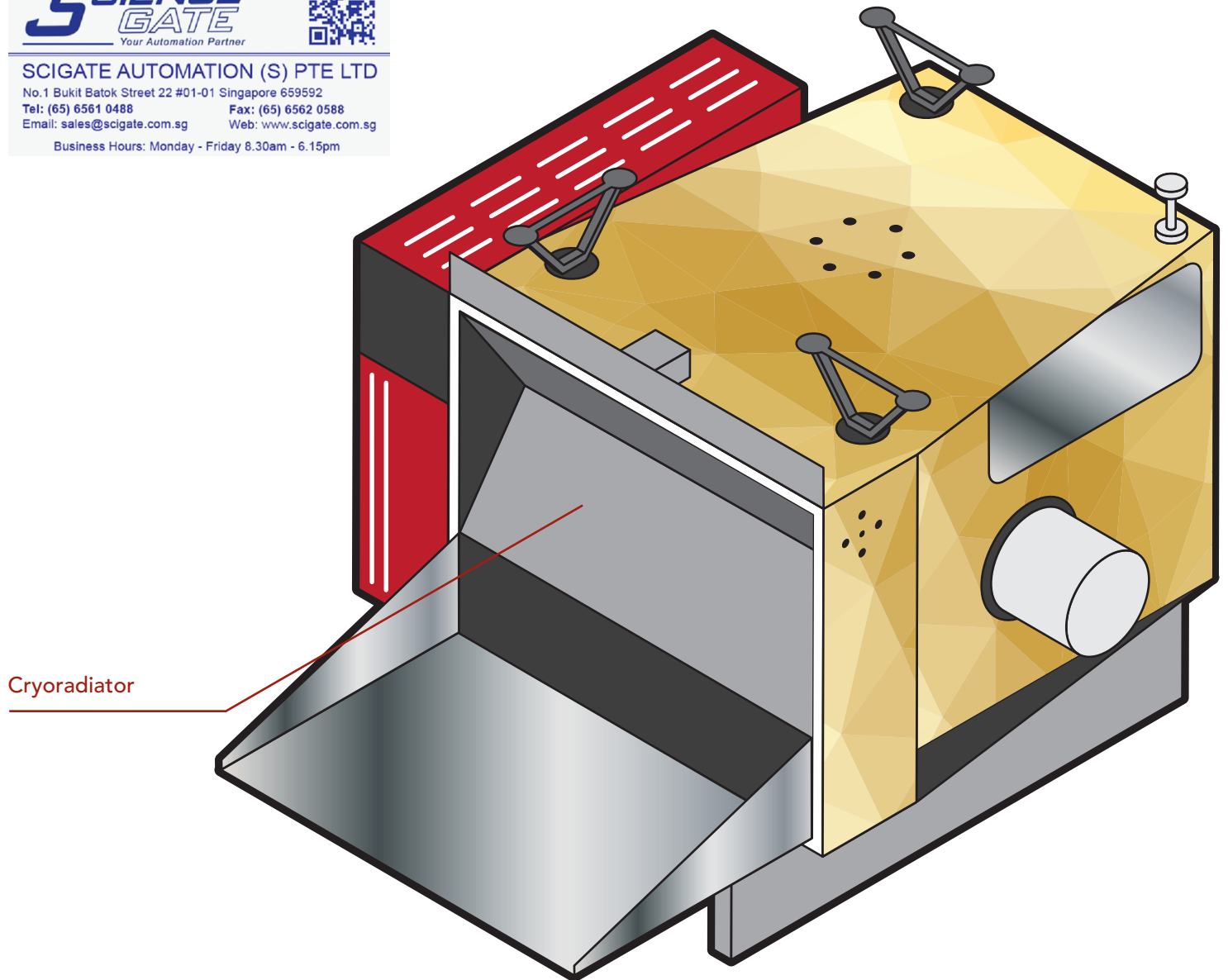
APPLICATION SUMMARY

Within NASA's Suomi NPP Satellite are five weather instruments. Commissioned by Raytheon, FUTEK designed two cryogenic load cells for the Visible Infrared Imager Radiometer Suite (VIIRS) aboard the satellite.

SCIENCE GATE
Your Automation Partner



SCIGATE AUTOMATION (S) PTE LTD
No.1 Bukit Batok Street 22 #01-01 Singapore 659592
Tel: (65) 6561 0488 Fax: (65) 6562 0588
Email: sales@scigate.com.sg Web: www.scigate.com.sg
Business Hours: Monday - Friday 8.30am - 6.15pm



Cryoradiator

