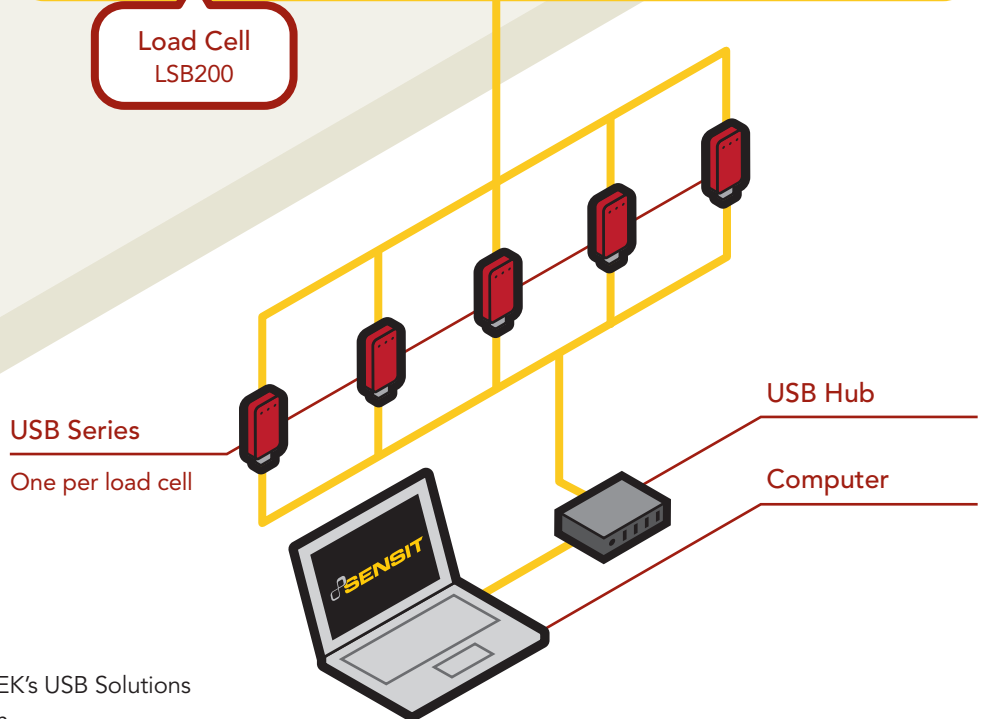


Load Cell
LSB200



PRODUCTS IN USE

Miniature S-Beam Jr. (LSB200) paired with FUTEK's USB Solutions for monitoring tension force and data collection.

APPLICATION SUMMARY

Wire tension measurement is an integral part for manufacturers of fibers, cables, and even textile fabrics. This method of measurement allows manufactures to ensure their products fit their requirements.

Sensor Solution Source

Load · Torque · Pressure · Multi Axis · Calibration · Instruments · Software

www.futek.com



SCIGATE AUTOMATION (S) PTE LTD

No.1 Bukit Batok Street 22 #01-01 Singapore 659592
Tel: (65) 6561 0488 Fax: (65) 6562 0588
Email: sales@scigate.com.sg Web: www.scigate.com.sg

Business Hours: Monday - Friday 8.30am - 6.15pm



U.S. Manufacturer