

FUTEK MODEL LCB400 (L1658) ROD END TENSION AND COMPRESSION LOAD CELL

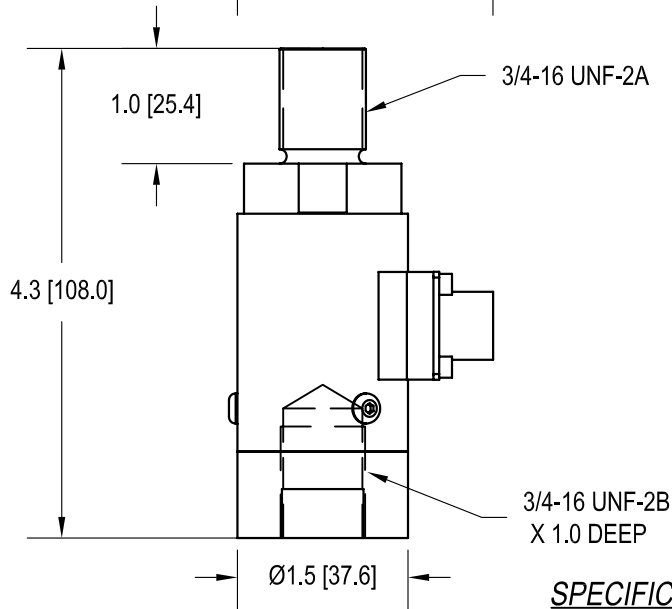
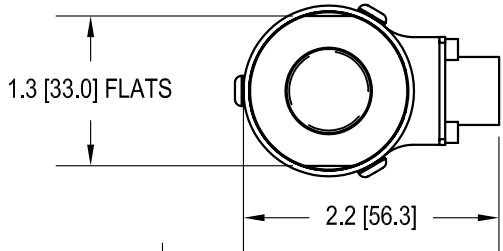
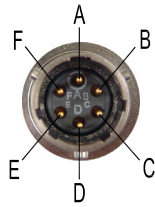
* DIRECT REPLACEMENT FOR GSE MODEL 5411

Drawing Number: FI1065

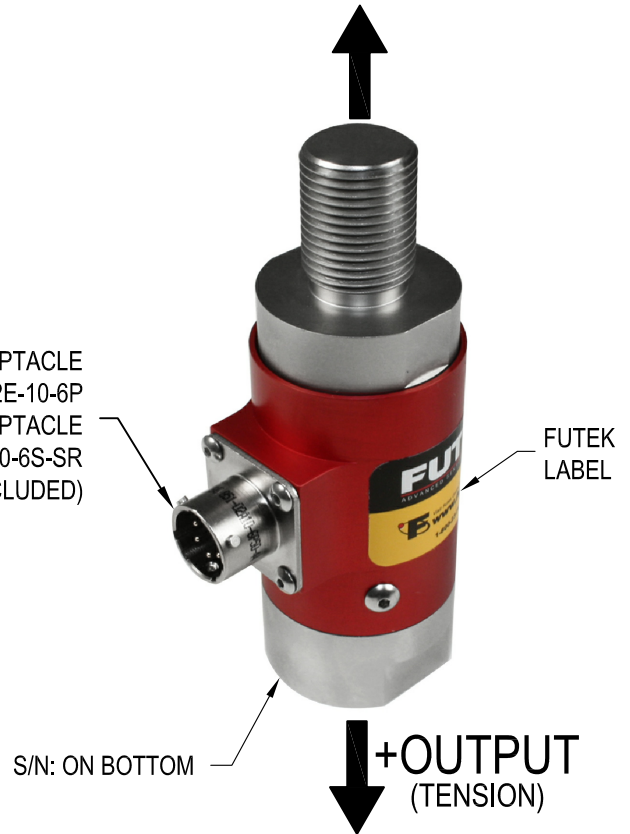
INCH [mm] | R.O.= Rated Output

WIRING CODE (CC1)

+Excitation	-Excitation	+Signal	-Signal
RED PIN 'A'	BLACK PIN 'B'	GREEN PIN 'C'	WHITE PIN 'D'
+Sense	-Sense		
ORANGE PIN 'E'	BLUE PIN 'F'		



BENDIX RECEPTACLE
PT02E-10-6P
*MATING RECEPTACLE
PT06A-10-6S-SR
(NOT INCLUDED)



SCIGATE
Your Automation Partner

SCIGATE AUTOMATION (S) PTE LTD
No.1 Bukit Batok Street 22 #01-01 Singapore 659592
Tel: (65) 6561 0488 Fax: (65) 6562 0588
Email: sales@scigate.com.sg Web: www.scigate.com.sg
Business Hours: Monday - Friday 8.30am - 6.15pm

SPECIFICATIONS:

RATED OUTPUT	2 mV/V nom.
SAFE OVERLOAD	150% of R.O.
ZERO BALANCE	±3% of R.O.
EXCITATION (VDC OR VAC)	18 MAX
BRIDGE RESISTANCE	350 Ω nom.
NONLINEARITY	±0.5% of R.O.
HYSTERESIS	±0.5% of R.O.
NONREPEATABILITY	±0.1% of R.O.
TEMP. SHIFT ZERO	±0.005% of R.O./°F [0.01% of R.O./°C]
TEMP. SHIFT SPAN	±0.01% of LOAD/°F [0.018% of LOAD/°C]
COMPENSATED TEMP.	60 to 160°F [15 to 72°C]
OPERATING TEMP.	-60 to 200°F [-50 to 93°C]
WEIGHT (1-2 Klb)	7 oz [195 g]
WEIGHT (3-10 Klb)	17 oz [481 g]
MATERIAL (FLEXURE) 1-2 Klb	2024-T4
MATERIAL (FLEXURE) 3-10 Klb	17-4PH S.S.
DEFLECTION	0.001 [0.03] nom.
CONNECTOR: BENDIX 6 Pin Receptacle (PT02E-10-6P)	
ACCESSORIES AND RELATED INSTRUMENTS AVAILABLE	
CALIBRATION (STD)	5 pt. TENSION; 60.4 KΩ SHUNT CAL. VALUE
CALIBRATION (AVAILABLE)	COMPRESSION
CALIBRATION TEST EXCITATION	10 VDC

ITEM #	CAPACITIES	
	lb	N
FSH00698	1K	4448
FSH00700	2K	8896
FSH00701	3K	13344
FSH00703	5K	22240
FSH00704	10K	44480