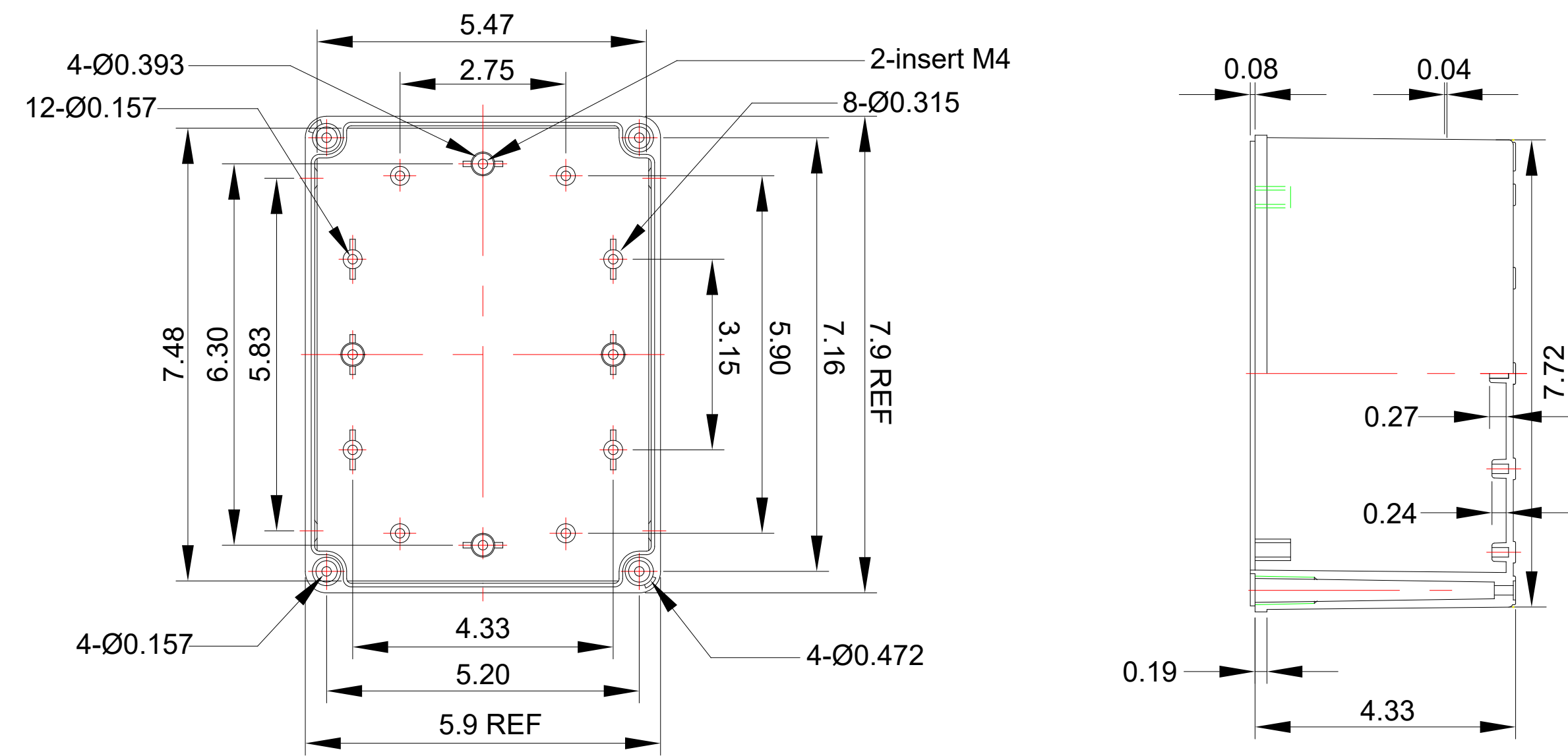
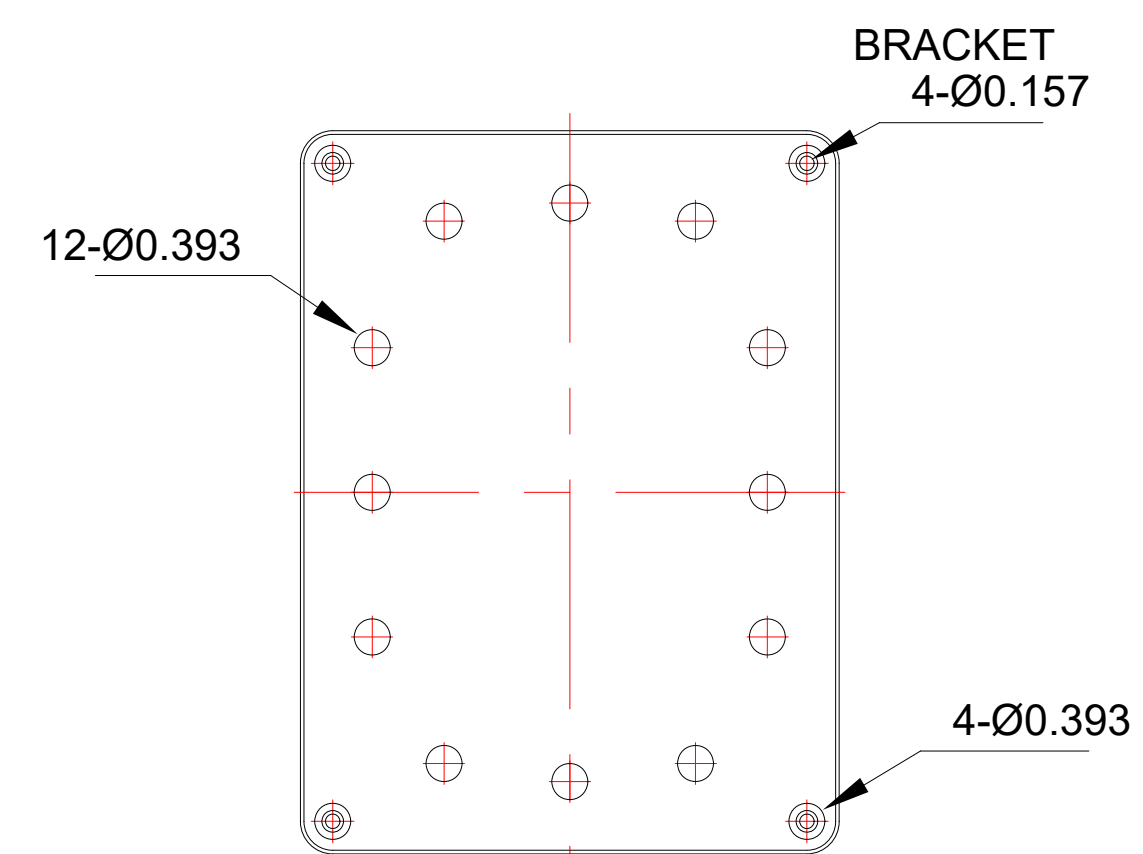
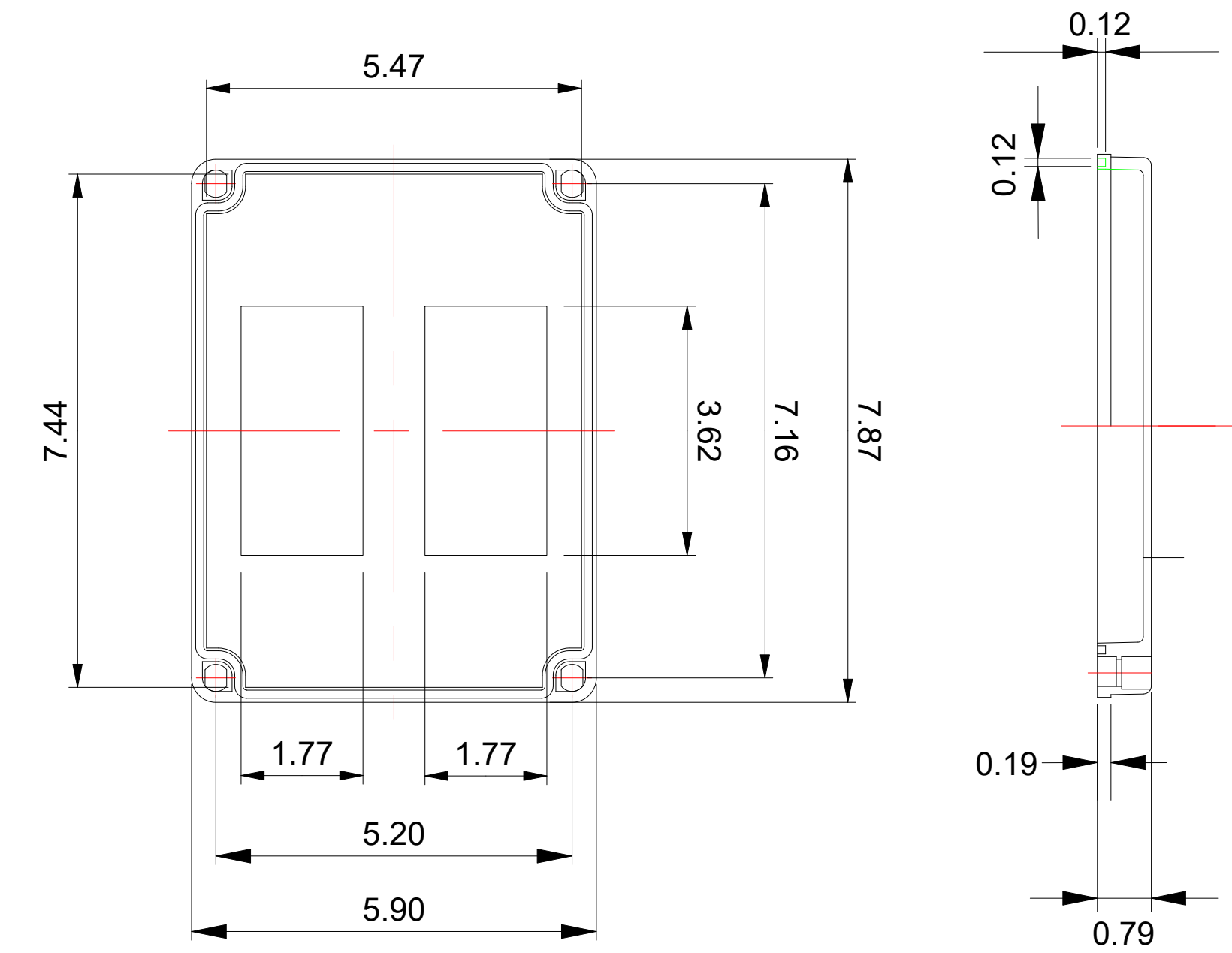


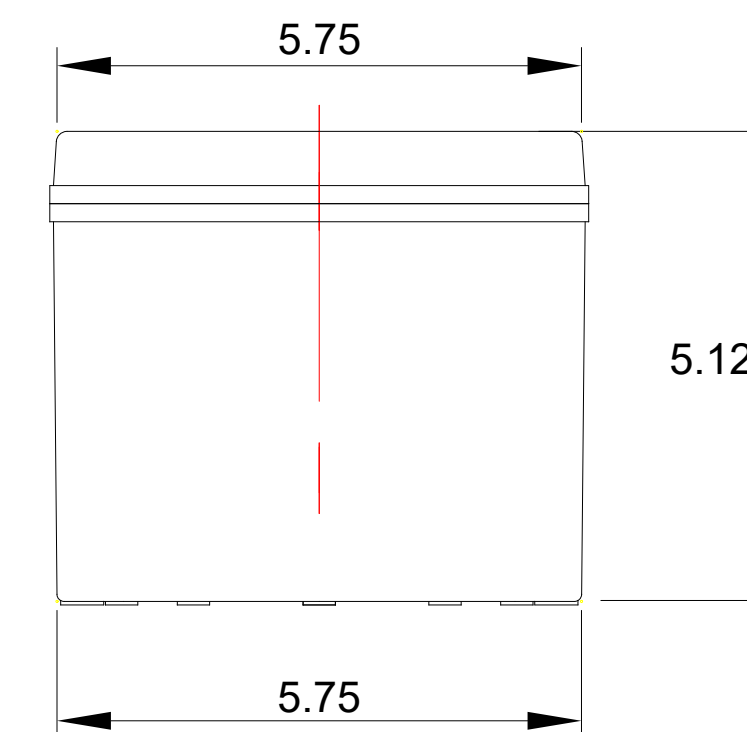
BODY



COVER



BOTTOM VIEW



NOTES: ALL DIMENSIONS SHOWN ARE IN INCHES.



SCIGATE AUTOMATION (S) PTE LTD
No.1 Bukit Batok Street 22 #01-01 Singapore 659592
Tel: (65) 6561 0488 Fax: (65) 6562 0588
Email: sales@scigate.com.sg Web: www.scigate.com.sg
Business Hours: Monday - Friday 8.30am - 6.15pm

DRAWN
P. Colin
02/01/2016

FLOWLINE, INC.
LOS ALAMITOS, CA 90720

**LM91-2001 ENCLOSURE
DRAWING FILE
301688 REV A**

SCALE 1:2 SIZE D (34 x 22) SHEET 1 OF 1