

# More Precision

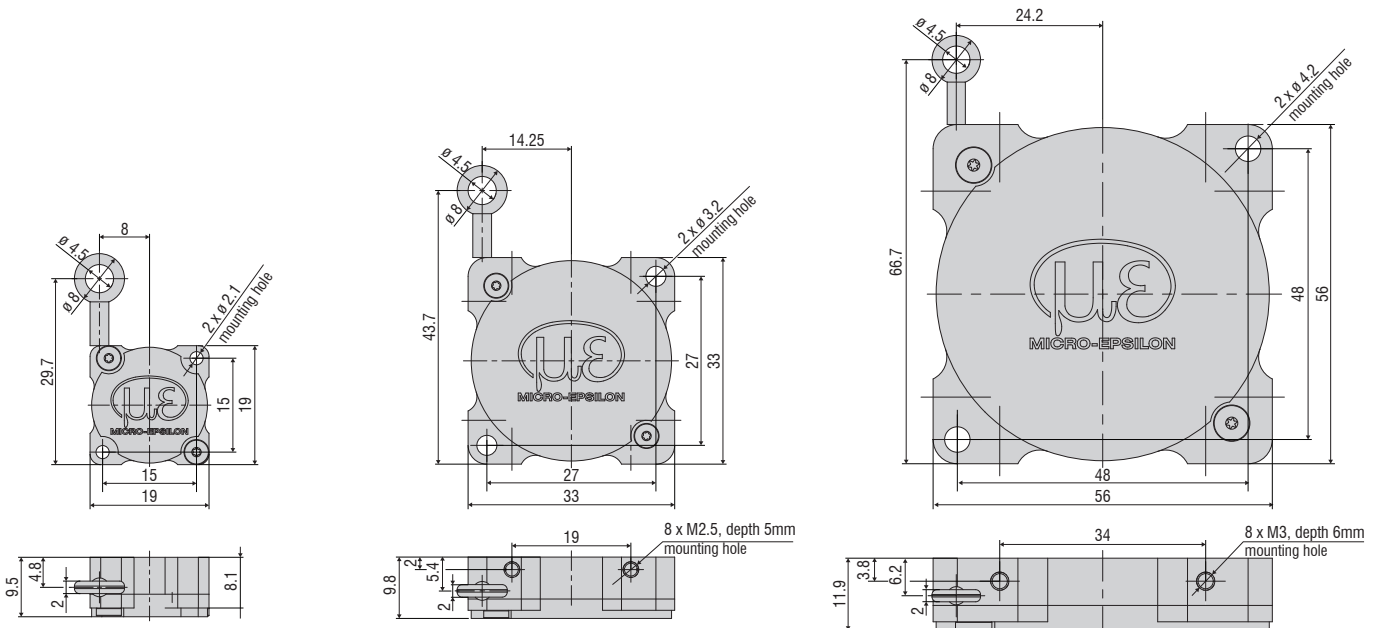
## wireSENSOR MT Series

Miniature draw-wire sensors for test applications

- Measuring ranges from 40 to 130 mm
- Extremely high accelerations
- Miniature sensor size
- Easy, fast and flexible mounting



Model	WDS-40-MT19-P	WDS-80-MT33-P	WDS-130-MT56-P
Analog output		potentiometer	
Measuring range	40 mm	80 mm	130 mm
Resolution		towards infinity	
Linearity	$\leq \pm 1 \%$	$\leq \pm 0.4 \%$	$\leq \pm 0.4 \%$
Sensor element		conductive plastic potentiometer	
Wire extension force (max)	2.0 N	1.5 N	1.0 N
Wire retraction force (min)	0.7 N	0.5 N	0.3 N
Wire acceleration (max)	60 g	60 g	15 g
Material	Housing	aluminum	
	Measuring wire	stainless steel	
Wire mounting		eyelet ( $\varnothing 4.5$ mm)	
Mounting	through bores $\varnothing 2.1$ mm	through bores $\varnothing 3.2$ mm	through bores $\varnothing 4.2$ mm
Temperature range		$-40 \dots +85 \text{ }^\circ\text{C}$	
Connection		stranded wires, approx. 6 cm	
Shock (DIN-EN 60068-2-29)		50 g, 10 ms	
Vibration (DIN-EN- 60068-2-26)		20 g, 20 Hz – 2 kHz	
Protection class (DIN-EN 60529)		IP50	
Typ. service life		1 million cycles	
Weight	approx. 8 g	approx. 22 g	approx. 82 g



### Micro-Epsilon