

More Precision



thermoMETER TIM 8

Intelligent spotfinder pyrometer

The TIM 8 combines the advantages of a pyrometer and an infrared camera. The spotfinder function enables precise temperature measurements with automatic sensor adjustment. Its compact design and favorable price make the pyrometer ideally suitable for temperature measurements in machine building and automation.

Advantages

- Pyrometer with 80 x 80 pixels for precise temperature measurements from -20 °C to 900 °C
- Robust and compact system with motorized focus
- Excellent optical resolution with distance-to-spot-size-ratio up to 190:1
- Autonomous operation with automatic spotfinder and direct analog output
- Optionally expandable with industrial process interface (up to 9 analog and alarm outputs)
- Comprehensive ready-to-use package including versatile software



| Model | TIM 8 |
|----------------------------------|---|
| Optical resolution | 80 x 80 pixels |
| Temperature ranges | -20 °C to 100 °C, 0 °C to 250 °C, (20) 150 °C to 900 °C ¹⁾ |
| Spectral range | 8 to 14 μm |
| Frame rate | 50 Hz |
| System accuracy | ±2 °C or ±2 %, whichever is greater |
| Fixed lens | 12° FOV / f = 12.7 or 30° FOV / f = 5.1 or 55° FOV / f = 3.1 or 80° FOV / f = 2.3 |
| Focus | manual motorized focus |
| Optical resolution (D:S) | 190:1 (12° lens) |
| Thermal sensitivity (NETD) | 100 mK |
| Detector | FPA, uncooled (34 μm x 34 μm) |
| Outputs/digital | USB 2.0 / Ethernet (100 Mbit/s) / PoE / RS 485 ³⁾ |
| Direct I/O | 1x analog output (0/4-20 mA) / input (analog or digital); optically isolated |
| Industry process interface (PIF) | 3x analog outputs (0/4-20 mA or 0-10 V) or alarm output (relay) / 3x inputs (analog or digital) / failsafe (LED and relay); expandable up to 3 PIFs; optically isolated |
| Cable lengths | USB: 1 m (standard), 3 m, 5 m, Ethernet / RS485: 100 m |
| Power supply | USB / PoE / 5-30 VDC |
| Protection class | IP67 |
| Ambient temperature | 0 °C to 50 °C |
| Storage temperature | -40 °C to 70 °C |
| Relative humidity | 20 to 80%, non-condensing |
| Vibration ²⁾ | IEC 60068-2-6 (sinus-shaped) / IEC 60068-2-64 (broadband noise) |
| Shock ²⁾ | IEC 60068-2-27 (25 g and 50 g) |
| Housing (size) ²⁾ | ø 36 mm x 90 mm (M30x1 thread) |
| Weight | 185 g |

¹⁾ For the range (20)150 up to 900 °C, the accuracy specification applies from 150 °C

²⁾ For more information see operating instructions

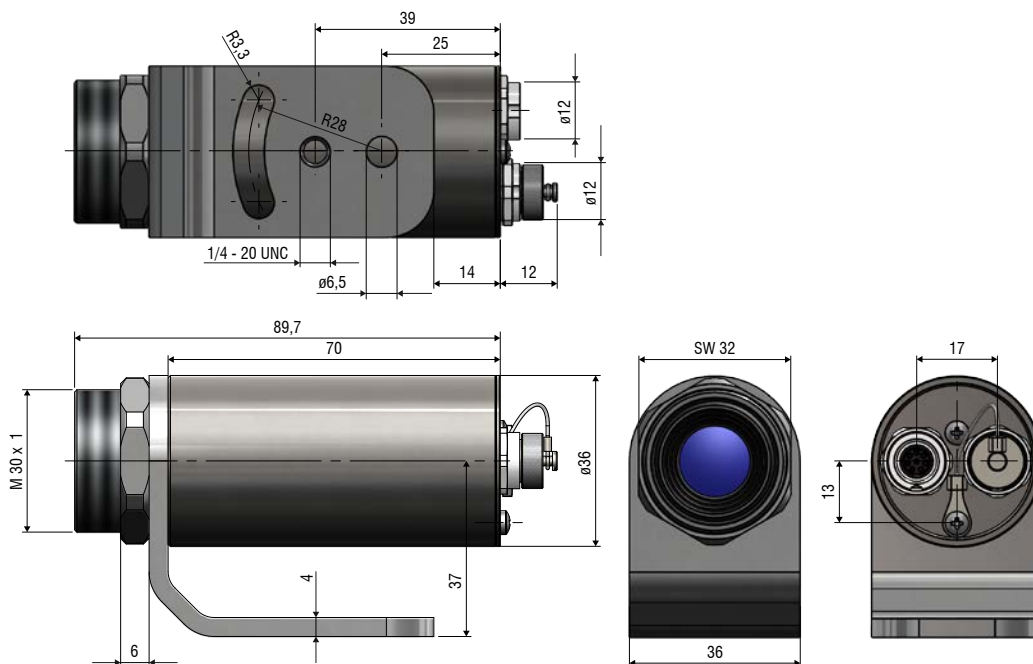
³⁾ When using the RS485 interface, the direct outputs and inputs are not available

thermoMETER TIM 8

| TIM 8 | Focal length | Minimum measurement distance* | Distance to measurement object (measuring field in m, pixels in mm) | | | | | | | | | | | | | |
|------------------------------------|--------------|-------------------------------|---|-------|-------|-------|-------|-------|-------|-------|-------|--------|-------|--------|--------|--|
| | | | | 0.05 | 0.1 | 0.2 | 0.3 | 0.5 | 1 | 2 | 4 | 6 | 10 | 30 | 100 | |
| 80 x 80 px | | | | | | | | | | | | | | | | |
| 30° x 30° Standard lens | 5 mm | 0.2 m | HFOV (m) | 0.028 | 0.056 | 0.111 | 0.167 | 0.279 | 0.557 | 1.115 | 2.230 | 3.346 | 5.6 | 16.7 | 55.8 | |
| | | | VFOV (m) | 0.028 | 0.056 | 0.111 | 0.167 | 0.279 | 0.557 | 1.115 | 2.230 | 3.346 | 5.6 | 16.7 | 55.8 | |
| | | | Ifov (mm) | 0.33 | 0.67 | 1.33 | 2.0 | 3.33 | 6.67 | 13.33 | 26.67 | 40.00 | 66.67 | 200.00 | 666.67 | |
| 12° x 12° Telephoto lens | 13 mm | 0.3 m | HFOV (m) | | 0.022 | 0.043 | 0.065 | 0.11 | 0.21 | 0.43 | 0.85 | 1.28 | 2.1 | 6.4 | 21.3 | |
| | | | VFOV (m) | | 0.022 | 0.043 | 0.065 | 0.11 | 0.21 | 0.43 | 0.85 | 1.28 | 2.1 | 6.4 | 21.3 | |
| | | | Ifov (mm) | | 0.3 | 0.5 | 0.8 | 1.3 | 2.7 | 5.3 | 10.6 | 15.9 | 26.6 | 79.7 | 265.6 | |
| 55° x 55° Wide angle lens | 3 mm | 0.2 m | HFOV (m) | 0.057 | 0.110 | 0.218 | 0.325 | 0.539 | 1.07 | 2.14 | 4.27 | 6.41 | 10.7 | 32.0 | 106.7 | |
| | | | VFOV (m) | 0.057 | 0.110 | 0.218 | 0.325 | 0.539 | 1.07 | 2.14 | 4.27 | 6.41 | 10.7 | 32.0 | 106.7 | |
| | | | Ifov (mm) | 0.6 | 1.2 | 2.3 | 3.4 | 5.6 | 11.2 | 22.4 | 44.6 | 66.9 | 111.5 | 334.5 | 1114.8 | |
| 80° x 80° Super wide angle lens | 2 mm | 0.2 m | HFOV (m) | 0.090 | 0.174 | 0.343 | 0.509 | 0.884 | 1.682 | 3.357 | 6.708 | 10.058 | 16.8 | 50.3 | 167.5 | |
| | | | VFOV (m) | 0.090 | 0.174 | 0.343 | 0.509 | 0.88 | 1.682 | 3.357 | 6.708 | 10.058 | 16.8 | 50.3 | 167.5 | |
| | | | Ifov (mm) | 0.08 | 1.6 | 3.2 | 4.7 | 7.8 | 15.5 | 31.0 | 61.9 | 92.8 | 154.6 | 463.7 | 1545.5 | |

FOV: Horizontal expansion of the total measuring field at the object level; VFOV: Vertical expansion of the total measuring field at the object level; IFOV: Size of the individual pixels at the object level

* Please note: The measurement accuracy of the camera may lie outside of the specifications for distances below the defined minimum measurement distance.



Scope of supply (standard)

- TIM 8
- USB cable 1 m
- PIF cable incl. terminal block (1 m)
- Mounting angle with tripod thread, mounting nut
- TIMConnect Software
- Assembly instruction



SCIGATE AUTOMATION (S) PTE LTD

No.1 Bukit Batok Street 22 #01-01 Singapore 659592

Tel: (65) 6561 0488

Fax: (65) 6562 0588

Email: sales@scigate.com.sg

Web: www.scigate.com.sg

Business Hours: Monday - Friday 8.30am - 6.15pm