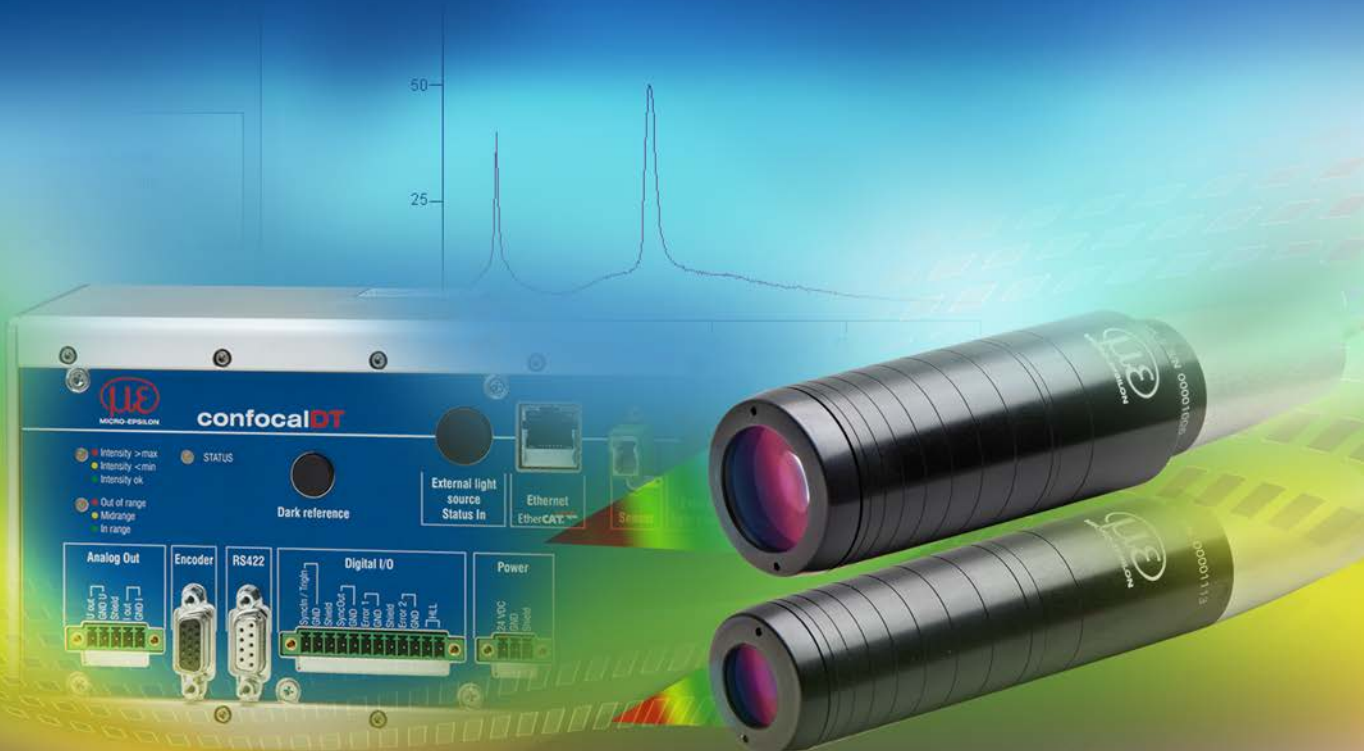




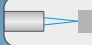


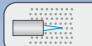


More Precision

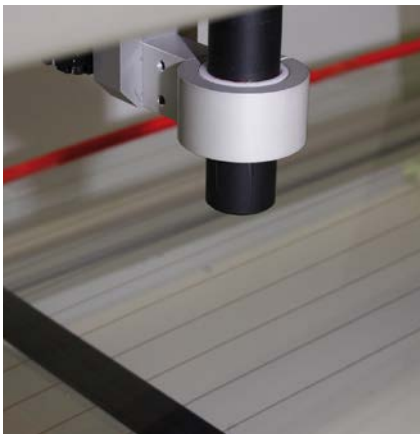
confocalDT // Confocal chromatic measurement system



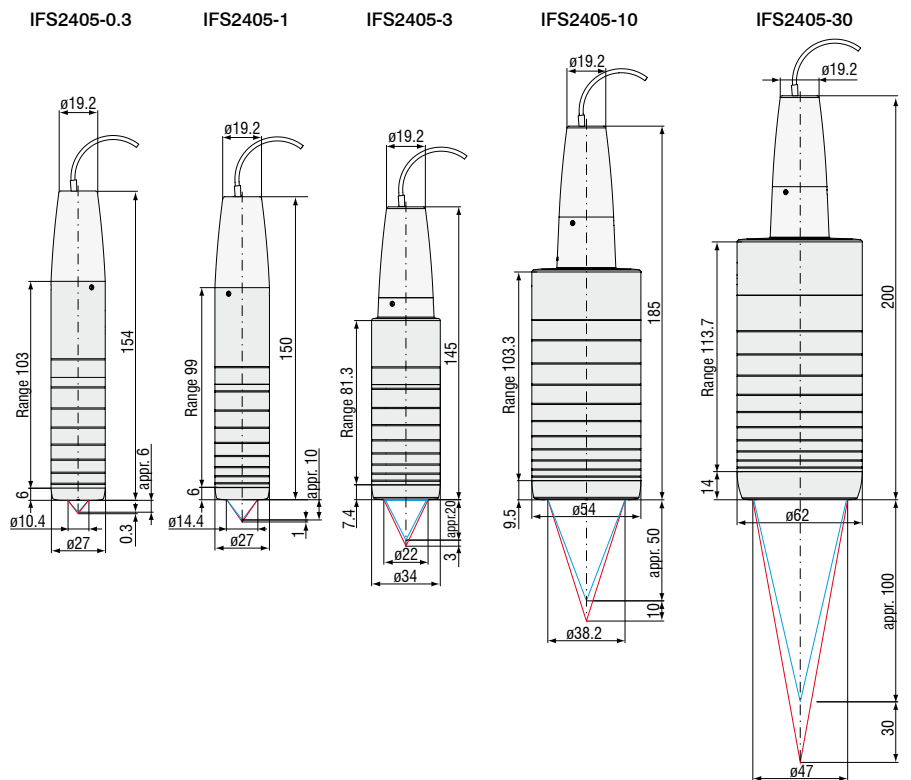


-  **Robust sensors for various applications**
-  **One-sided thickness measurement of transparent material**
-  **Displacement and position measurement**
-  **Tiny spot size**
-  **Submicrometer resolution**
-  **Suited for hazardous areas**

The confocal sensors in the IFS2405 series are designed for measurement tasks that require maximum precision. These new sensors excel through their high sensitivity. The high tilt angle and the relatively large base distance enable a great variety of potential applications. As well as distance measurements for reflective and transparent surfaces, the sensor can also be used for one-sided thickness measurement of clear film, boards or layers.



Thickness measurement of rear windows



Sensor model	IFS 2405-0,3	IFS 2405-1	IFS 2405-3	IFS 2405-10	IFS 2405-30
Measuring range	0.3mm	1mm	3mm	10mm	30mm
Start of measuring range	appr. 6mm	10mm	20mm	50mm	100mm
Spot diameter	6 μ m	8 μ m	9 μ m	16 μ m	50 μ m
Linearity (displacement measurement)	0.15 μ m	0.25 μ m	0.75 μ m	2.5 μ m	7.5 μ m
	± 0.05 % FSO	± 0.025 % FSO			
Linearity (thickness measurement)	0.3 μ m	0.5 μ m	1.5 μ m	5 μ m	15 μ m
	± 0.1 % FSO	± 0.05 % FSO			
Resolution ¹⁾	10nm	28nm	36nm	60nm	180nm
Weight	140g	125g	225g	500g	730g
Max. tilt ²⁾	$\pm 34^\circ$	$\pm 30^\circ$	$\pm 24^\circ$	$\pm 17^\circ$	$\pm 9^\circ$
Protection class	IP 65, front				
Operation temperature	+5 ... +70 °C				
Storage temperature	-20°C ... +70°C				
Sensor cable (fibre optic cable)	length: standard 3m; option up to 50m; bending radius: static 30mm; dynamic 40mm				
Shock	15g, 6ms				
Vibration	2g / 10Hz ... 500Hz				

FSO = Full Scale Output

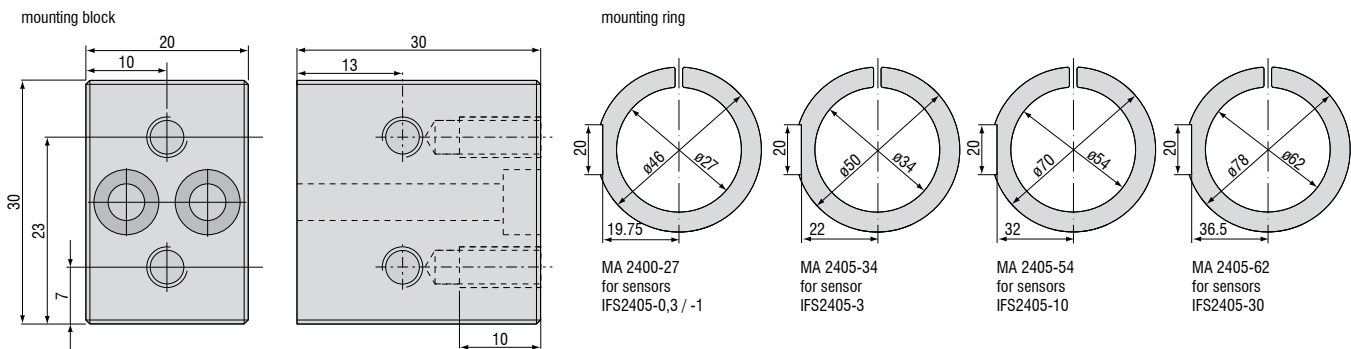
All data at constant ambient temperature (25 \pm 2°C) against optical flat; specifications can change when measuring different materials.

1) Average from 512 values at 1kHz, near to the centre of the measuring range

2) Maximum sensor tilt angle that produces a usable signal, near to the centre of the measuring range

Accessories: mounting adapter

MA2400 for sensors 2405 (consisting of a mounting block and a mounting ring)



Accessories

Software

IFD24n1-Tool Free demo software tool included in delivery

Accessories light source

IFX2471/Xe/75 external Xenon light source for controller IFC2471 (70 kHz)
 IFX2471/Xe/75-light-bulb for IFX2471
 IFL2451/LED-light-bulb for IFC2451
 IFL2451/LED(003)-light-bulb for IFC2451(003) with cooling element
 CL2471-1/Xe Light source cable, 1m

Accessories IFS2405

C2401-X Fibre optical cable (3m, 10m, customer specific length up to 50m)
 C2401/PT-X Armored cable (3m, 10m, customer specific length up to 50m)
 C2401-3(10) Sensor cable for drag chain use, 3m
 C2401-5(10) Sensor cable for drag chain use, 5m

Accessories IFS2402/2403

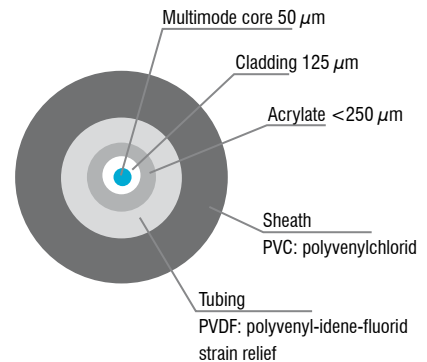
CE2402-X Extension for fibre optical cable (3/10/13/30/50m)
 CE2402-X/PT Sensor with armored cable
 (3/10m, customer specific length up to 50m)
 C2402/Vac/KF16 Vacuum feedthrough, 1 channel
 C2405/Vac/6/CF63 Vacuum feedthrough, 6 channel
 C2405/Vac/9/CF63 Vacuum feedthrough, 9 channel

Accessories

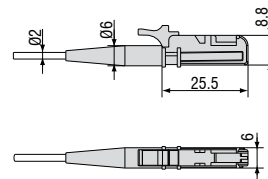
SC2471-3/USB/IND Connector cable IFC2451/61/71, 3m
 SC2471-3/IF2008 Connector cable IFC2451/61/71-IF2008, 3m
 SC2471-3/CSP Connector cable IFC2451/61/71-CSP2008, 3m
 SC2471-10/IF2008 Connector cable IFC2451/61/71-IF2008, 10m
 SC2471-10/CSP Connector cable IFC2451/61/71-CSP2008, 10m
 SC2471-10/USB/IND Connector cable IFC2451/61/71, 10m
 SC2471-20/USB/IND Connector cable IFC2451/61/71, 20m
 PS2020 Power supply 24 V / 2,5 A
 EC2471-3/OE Encoder cable, 3 m

Fibre optic

Temperature range : -50°C - 90°C
 Bending radius: 30/40mm



E2000/APC standard connector



High performance sensors made by Micro-Epsilon



Sensors and systems for displacement and position



Sensors and measurement devices for non-contact temperature measurement



2D/3D profile sensors (laser scanner)



Optical micrometers, fibre optic sensors and fibre optics



Colour recognition sensors, LED analyzers and colour online spectrometer



Measurement and inspection systems



SCIGATE AUTOMATION (S) PTE LTD

No.1 Bukit Batok Street 22 #01-01 Singapore 659592

Tel: (65) 6561 0488

Fax: (65) 6562 0588

Email: sales@scigate.com.sg

Web: www.scigate.com.sg

Business Hours: Monday - Friday 8.30am - 6.15pm



MICRO-EPSILON

MICRO-EPSILON Headquarters
Koenigbacher Str. 15 · 94496 Ortenburg / Germany
Tel. +49 (0) 8542 / 168-0 · Fax +49 (0) 8542 / 168-90
info@micro-epsilon.com · www.micro-epsilon.com

MICRO-EPSILON UK Ltd.
No.1 Shorelines Building · Shore Road · Birkenhead · CH41 1AU
Phone +44 (0) 151 355 6070 · Fax +44 (0) 151 355 6075
info@micro-epsilon.co.uk · www.micro-epsilon.co.uk