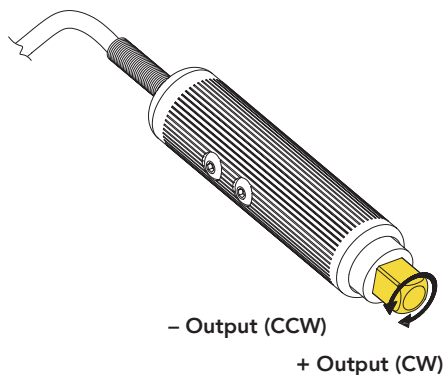




**FEATURES**

- Designed for Torque auditing
- Red anodized aluminum housing
- Slim design
- High accuracy

**Active end**



**SPECIFICATIONS**

**PERFORMANCE**

Nonlinearity	±0.2% of RO
Hysteresis	±0.2% of RO
Nonrepeatability	±0.1% of RO

**ELECTRICAL**

Rated Output (RO)	1 mV/V (50 in-oz) 2 mV/V (100 in-oz) nom
Excitation (VDC or VAC)	18 max
Bridge Resistance	1000 Ohm nom
Connection	#28 AWG, 4 conductor, braided shielded PVC cable 10 ft [3 m] long
Wiring Code	WC1

**MECHANICAL**

Weight	3 oz (w/o adapter)
Safe Overload	150% of RO
Material	Anodized aluminum
IP Rating	IP40

**TEMPERATURE**

Operating Temperature	0 to 160°F [-18 to 72°C]
Compensated Temperature	60 to 160°F [15 to 72°C]
Temperature Shift Zero	±0.02% of RO/°F [0.036% of RO/°C]
Temperature Shift Span	±0.02% of Load/°F [0.036% of Load/°C]

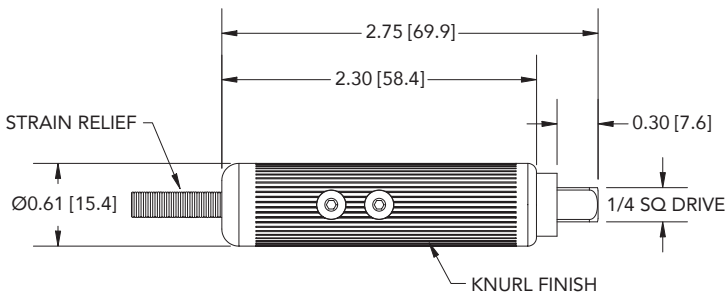
**CALIBRATION**

Calibration Test Excitation	10 VDC
Calibration (standard)	5-pt CW
Calibration (available)	5-pt CCW
Shunt Calibration Value	301 kOhm (50 in-oz) 150 kOhm (100 in-oz)

**CONFORMITY**

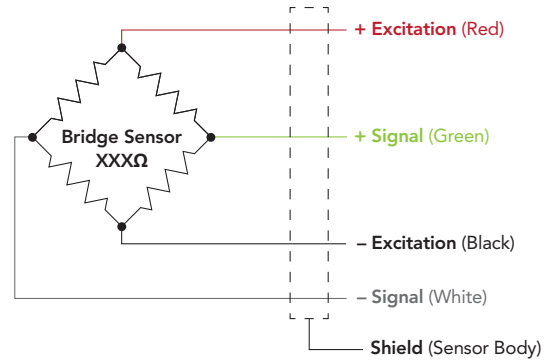
RoHS	EU 2015/863
CE	EN55011; EN61326-1

**DIMENSIONS** inches [mm]



**WIRING CODE (WC1 WITH SHIELD)**

RED	+ EXCITATION
BLACK	- EXCITATION
GREEN	+ SIGNAL
WHITE	- SIGNAL
SHIELD	FLOATING



**CAPACITIES**

ITEM #	in-oz	Nm
FSH04132	50	0.35
FSH04133	100	0.71



**SCIGATE AUTOMATION (S) PTE LTD**

No.1 Bukit Batok Street 22 #01-01 Singapore 659592  
 Tel: (65) 6561 0488 Fax: (65) 6562 0588  
 Email: sales@scigate.com.sg Web: www.scigate.com.sg

Business Hours: Monday - Friday 8.30am - 6.15pm

Drawing Number: F11471-A

FUTEK reserves the right to modify its design and specifications without notice. Please visit [www.futek.com/salesterms](http://www.futek.com/salesterms) for complete terms and conditions.

10 Thomas, Irvine, CA 92618 USA

Tel: (949) 465-0900  
 Fax: (949) 465-0905

[www.futek.com](http://www.futek.com)



R0HS



U.S. Manufacturer