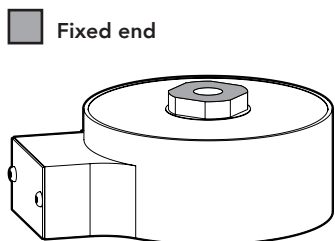
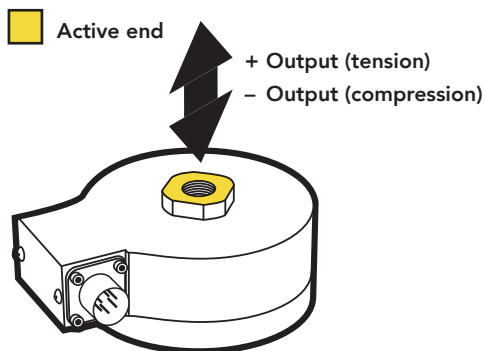


FEATURES

- Highly resistant to off-axis loading
- One-piece construction
- Utilizes metal foil strain gauge technology
- 17-4 PH stainless-steel construction
- For use in both tension and compression
- Notable non-repeatability



SPECIFICATIONS

PERFORMANCE

Nonlinearity	±0.1% of RO
Hysteresis	±0.1% of RO
Nonrepeatability	±0.05% of RO

ELECTRICAL

Rated Output (RO)	3 mV/V nom 1.5 mV/V nom (250 lb)
Excitation (VDC or VAC)	18 max
Bridge Resistance	700 Ohm nom
Insulation Resistance	≥500 MOhm @ 50 VDC
Connection	6 Pin BENDIX Receptacle (PT02A-10-6P)
Connector Code	CC1 Standard/CC1T

MECHANICAL

Weight (approximate)	3 lb [1.4 kg]
Safe Overload	150% of RO
Material	17-4 PH stainless-steel
IP Rating	IP64

TEMPERATURE

Operating Temperature	-65 to 200°F [-54 to 93°C]
Compensated Temperature	60 to 160°F [15 to 72°C]
Temperature Shift Zero	±0.002% of RO/°F [0.0036% of RO/°C]
Temperature Shift Span	±0.002% of Load/°F [0.0036% of Load/°C]

CALIBRATION

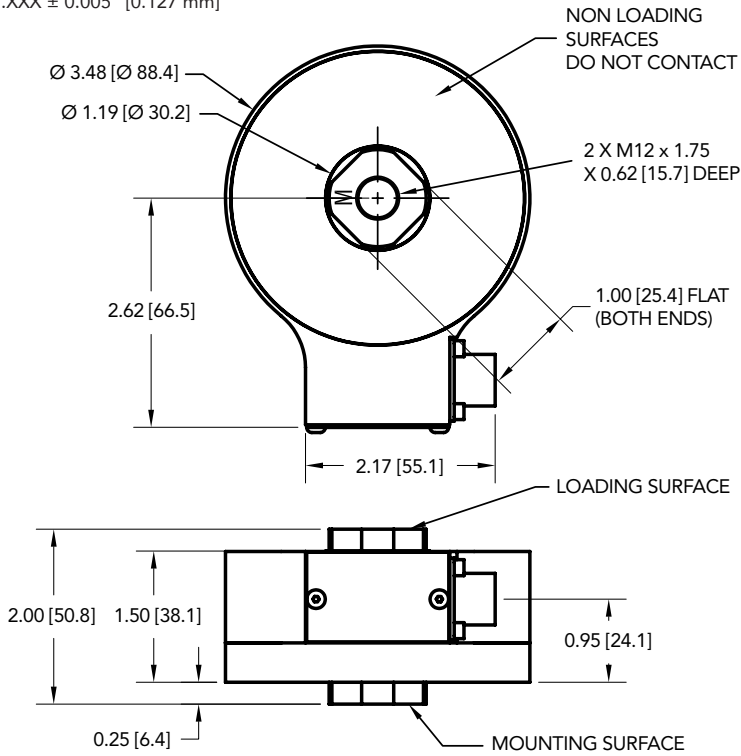
Calibration Test Excitation	10 VDC
Calibration (standard)	5-pt tension
Calibration (available)	Compression
Shunt Calibration Value	87.325 kOhm, 150 kOhm (250 lb)

CONFORMITY

RoHS	EU 2015/863
CE	EN55011; EN61326-1

DIMENSIONS inches [mm]

TOLERANCE:
 .X ± 0.1" [2.5 mm]
 .XX ± 0.01" [0.25 mm]
 .XXX ± 0.005" [0.127 mm]

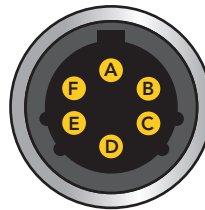


CAPACITIES

ITEM #	lb	N	Deflection (in)	Natural Frequency (kHz)
FSH04155	250	1112	0.001	2.6
FSH04156	500	2224	0.002	2.6
FSH04157	1000	4448	0.002	3.8
FSH04158	2500	11120	0.003	5.8
FSH04159	5000	22240	0.004	7.7

BENDIX 6-PIN (CC1/CC1T)

PIN	COLOR	DESCRIPTION	TEDS DESCRIPTION
A	Red	+ Excitation	+ Excitation
B	Black	- Excitation	- Excitation
C	Green	+ Signal	+ Signal
D	White	- Signal	- Signal
E	Orange	+ Sense	TEDS Data
F	Blue	- Sense	TEDS GND



Sensor Receptacle View



SCIGATE AUTOMATION (S) PTE LTD

No.1 Bukit Batok Street 22 #01-01 Singapore 659592
 Tel: (65) 6561 0488 Fax: (65) 6562 0588
 Email: sales@scigate.com.sg Web: www.scigate.com.sg
 Business Hours: Monday - Friday 8.30am - 6.15pm

Drawing Number: F11442-A

FUTEK reserves the right to modify its design and specifications without notice.
 Please visit www.futek.com/salesterms for complete terms and conditions.

10 Thomas, Irvine, CA 92618 USA
 Tel: (949) 465-0900

www.futek.com



RoHS



U.S. Manufacturer