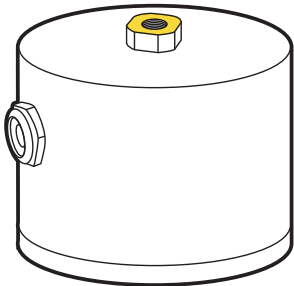
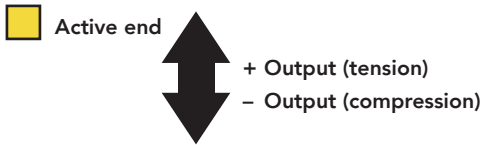


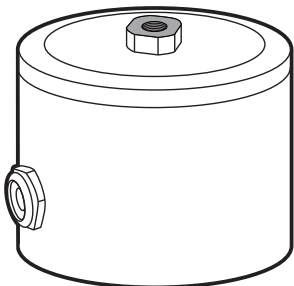


FEATURES

- Highly resistant to off-axis loading
- Notable nonrepeatability
- High performance tension and compression load cell
- Monolithic multibeam construction
- Utilizes metal foil strain gauge technology



■ Fixed end



SPECIFICATIONS

PERFORMANCE

Nonlinearity	±0.1% of RO
Hysteresis	±0.1% of RO
Nonrepeatability	±0.05% of RO

ELECTRICAL

Rated Output (RO)	1 mV/V nom (25, 50, 250 lb) 2 mV/V nom (100, 500 lb)
Excitation (VDC or VAC)	20 max
Bridge Resistance	700 Ohm nom
Insulation Resistance	≥500 MOhm @ 50 VDC
Connection	4 Position LEMO Receptacle (EGG.0B.304.CLL)
Connector Code	CC4

MECHANICAL

Weight (approximate)	5 oz [142 g] (25-100 lb) 10 oz [284 g] (250-500 lb)
Safe Overload	150% of RO
Material	2024-T4 Aluminum (25 lbs) 17-4 PH Stainless-Steel (50-500 lbs)
IP Rating	IP50

TEMPERATURE

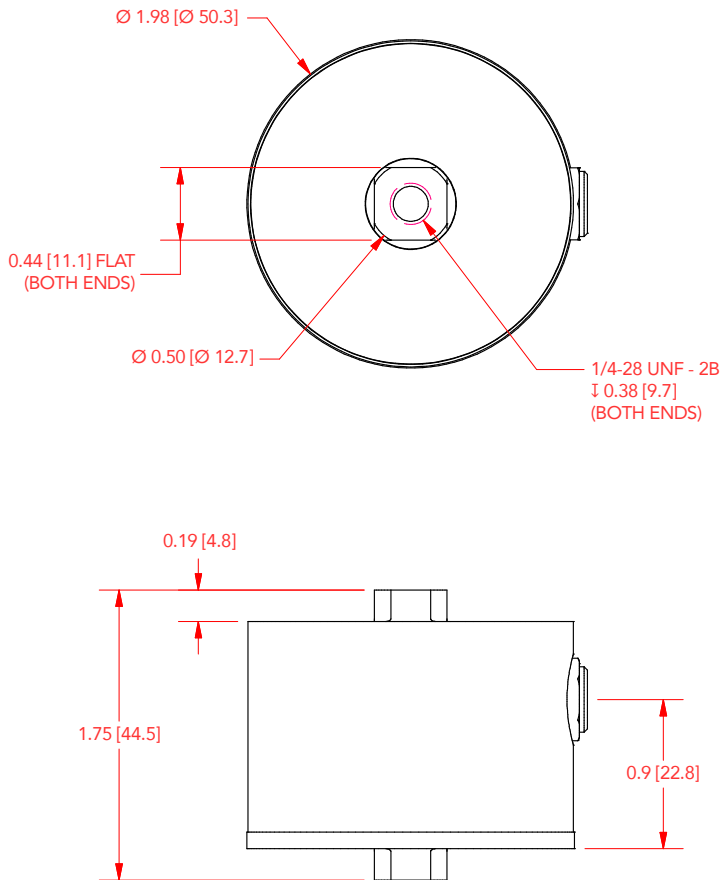
Operating Temperature	-60 to 200°F [-50 to 93°C]
Compensated Temperature	60 to 160°F [15 to 72°C]
Temperature Shift Zero	±0.01% of RO/°F [0.018% of RO/°C]
Temperature Shift Span	±0.01% of Load/°F [0.018% of Load/°C]

CALIBRATION

Calibration Test Excitation	10 VDC
Calibration (standard)	5-pt tension
Calibration (available)	Compression
Shunt Calibration Value	100 kOhm, 200 kOhm (25, 50, 250 lb)

DIMENSIONS inches [mm]

TOLERANCE:
 .X ± 0.1" [2.5 mm]
 .XX ± 0.01" [0.25 mm]
 .XXX ± 0.005" [0.127 mm]

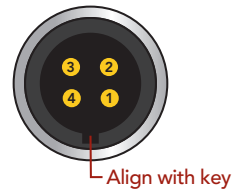


CAPACITIES

ITEM #	lb	N	Deflection (in)	Natural Frequency (Hz)
FSH04620	25	111	0.0006	4100
FSH04621	50	222	0.0007	3400
FSH04622	100	445	0.0014	3400
FSH04623	250	1112	0.0009	7000
FSH04624	500	2224	0.0017	7000

LEMO 4-PIN (CC4)

PIN	COLOR	DESCRIPTION
1	Red	+ Excitation
2	Green	+ Signal
3	White	- Signal
4	Black	- Excitation



SCIGATE AUTOMATION (S) PTE LTD

No.1 Bukit Batok Street 22 #01-01 Singapore 659692
 Tel: (65) 6561 0488 Fax: (65) 6562 6588
 Email: sales@scigate.com.sg Web: www.scigate.com.sg
 Business Hours: Monday - Friday 8.30am - 6.15pm

Drawing Number: F11539

FUTEK reserves the right to modify its design and specifications without notice.
 Please visit www.futek.com/salesterms for complete terms and conditions.

10 Thomas, Irvine, CA 92618 USA
 Tel: (949) 465-0900

www.futek.com



RoHS



U.S. Manufacturer