

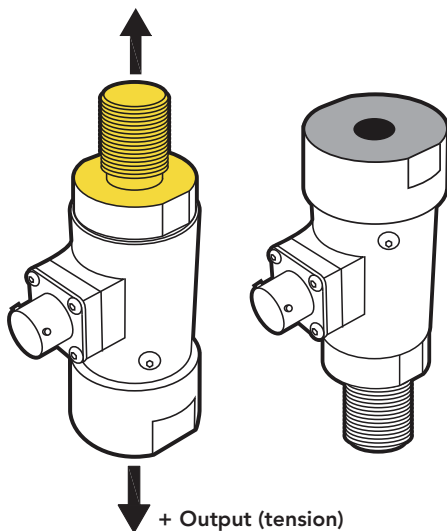


FEATURES

- Light weight
- Low deflection, light weight
- For use in both tension and compression
- Can easily thread in line into a threaded rod or actuator

■ Active end

■ Fixed end



SPECIFICATIONS

PERFORMANCE

Nonlinearity	±0.5% of RO
Hysteresis	±0.5% of RO
Nonrepeatability	±0.1% of RO

ELECTRICAL

Rated Output (RO)	2 mV/V nom
Excitation (VDC or VAC)	18 max
Bridge Resistance	350 Ohm nom
Insulation Resistance	≥500 MOhm @ 50 VDC
Connection	6 Pin BENDIX Receptacle (PT02E)
Connector Code	CC1 Standard/CC1T Available

MECHANICAL

Weight	20 oz [567 g]
Safe Overload	300% of RO
Material	17-4 PH stainless-steel
IP Rating	IP64

TEMPERATURE

Operating Temperature	-60 to 200°F [-50 to 93°C]
Compensated Temperature	60 to 160°F [15 to 72°C]
Temperature Shift Zero	±0.005% of RO/°F [0.01% of RO/°C]

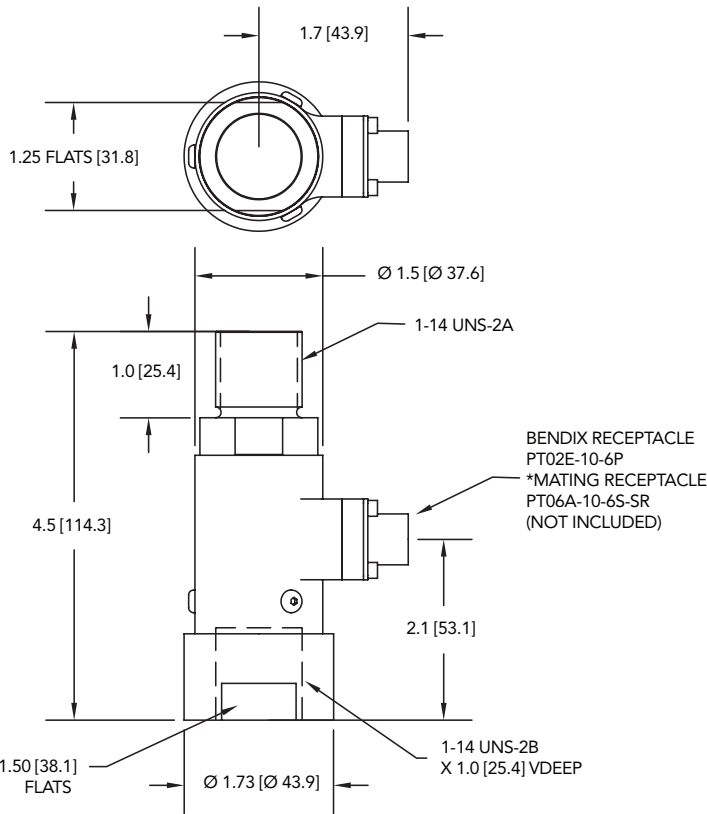
CALIBRATION

Calibration Test Excitation	10 VDC
Calibration (standard)	5-pt tension
Calibration (available)	Compression
Shunt Calibration Value	60.4 kOhm

CONFORMITY

RoHS	2011/65/EU
CE	EN55011:2009; EN61326-1:2006

DIMENSIONS inches [mm]

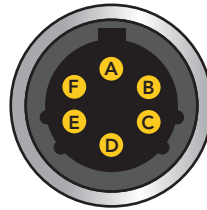


CAPACITIES

ITEM #	lb	N	Deflection (in)	Natural Frequency (Hz)
FSH04002	5000	22240	0.0014	7200
FSH04003	10000	44480	0.0020	8600
FSH04004	20000	88960	0.0032	9600

BENDIX 6-PIN

PIN	COLOR	DESCRIPTION	TEDS DESCRIPTION
A	Red	+ Excitation	+ Excitation
B	Black	- Excitation	- Excitation
C	Green	+ Signal	+ Signal
D	White	- Signal	- Signal
E	Orange	+ Sense	TEDS Data
F	Blue	- Sense	TEDS Ground



Sensor Receptacle View



SCIGATE AUTOMATION (S) PTE LTD

No.1 Bukit Batok Street 22 #01-01 Singapore 659592
 Tel: (65) 6561 0488 Fax: (65) 6562 0588
 Email: sales@scigate.com.sg Web: www.scigate.com.sg
 Business Hours: Monday - Friday 8.30am - 6.15pm

Drawing Number: FI1409-A

FUTEK reserves the right to modify its design and specifications without notice. Please visit www.futek.com/salesterms for complete terms and conditions.

10 Thomas, Irvine, CA 92618 USA

Tel: (949) 465-0900
 Fax: (949) 465-0905

www.futek.com



RoHS



U.S. Manufacturer