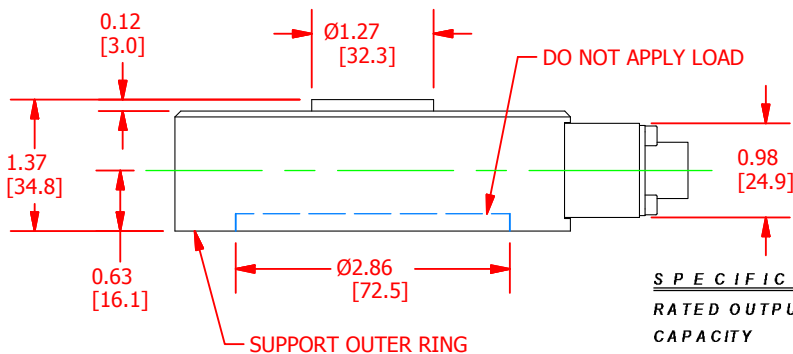
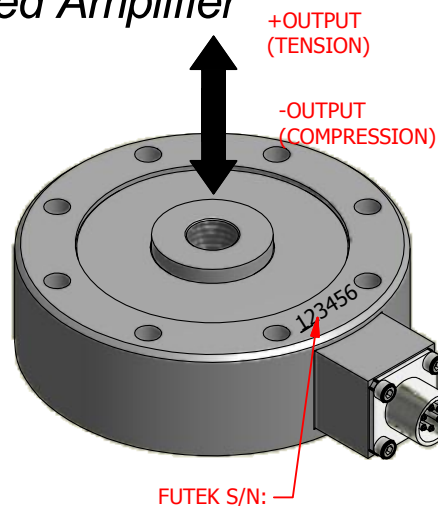
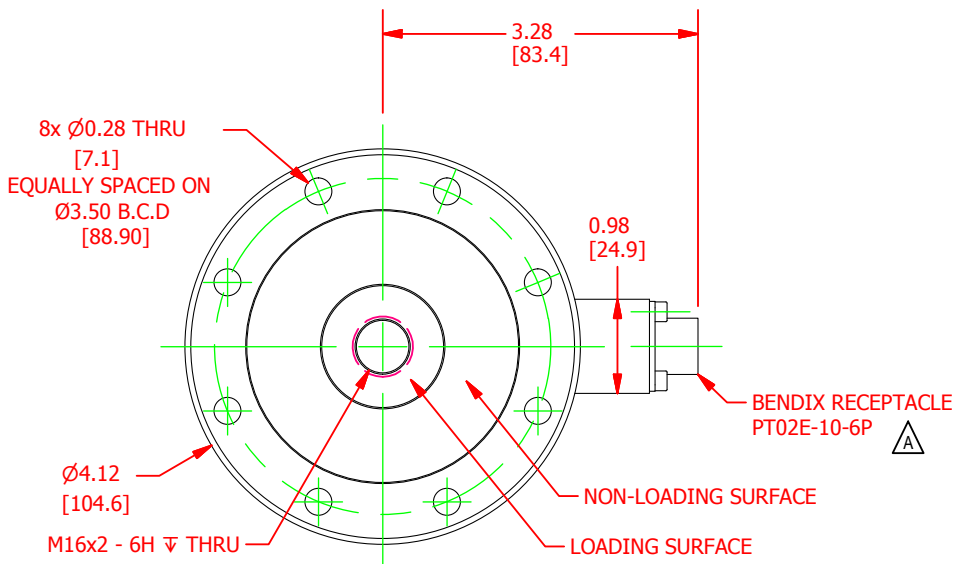


FUTEK MODEL LCF450

Low Profile Universal Pancake Load Cell w/ Integrated Amplifier

ITEM NUMBER: See Chart

INCH [mm]		R.O.= Rated Output
CONNECTOR CODE CC1C		
Power Supply (+)	Ground (-)	Current Output (+)
PIN A	PIN B	PIN C



SCIGATE AUTOMATION (S) PTE LTD
 No.1 Bukit Batok Street 22 #01-01 Singapore 659592
 Tel: (65) 6561 0488 Fax: (65) 6562 0588
 Email: sales@scigate.com.sg Web: www.scigate.com.sg
 Business Hours: Monday - Friday 8.30am - 6.15pm

ITEM#	Capacity	Material (Flexure)	Weight
QSH01663	1000 lb	Aluminum	1.4 lb
QSH01676	10000 lb	Stainless Steel	3.6 lb

SPECIFICATIONS:

RATED OUTPUT	± 8 m A
CAPACITY	See Chart
SAFE OVERLOAD	150% of R.O.
ZERO BALANCE	12 m A
POWER SUPPLY (VDC)	12-24
NONLINEARITY	± 0.1% of R.O.
HYSTERESIS	± 0.2% of R.O.
NONREPEATABILITY	± 0.02% of R.O.
TEMP. SHIFT ZERO	± 0.01% of R.O./°F (± 0.018 of R.O./°C)
TEMP. SHIFT SPAN	± 0.01% of LOAD /°F (± 0.018 of LOAD /°C)
COMPENSATED TEMP.	60 to 160 °F (16 to 71 °C)
OPERATING TEMP	-40 to 180 °F (-40 to 82 °C)
WEIGHT (approx)	See Chart
MATERIAL	See Chart
CONNECTOR: PT02E-10-6P	



CUSTOMER APPROVAL- COMPANY:

OUTLINE DRAWING

This drawing is submitted solely for the information and exclusive use of the original addressee. It is not to be divulged in whole or in part, by any firm or individual without written permission from:

FUTEK
 ADVANCED SENSOR TECHNOLOGY, INC.
 10 THOMAS, IRVINE, CA 92618 USA
 Phone: (949) 465-0900
 Fax: (949) 465-0905

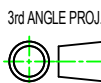
CUSTOMER APPROVAL- NAME / DATE:

STANDARD NOTES: (Unless Otherwise Specified)
 ALL DIMENSIONS ARE IN INCHES
 DRAWING INTERPRETATION DIMS. PER ASME-Y14.5M
 REMOVE BURRS AND BREAK SHARP EDGES .005 - .015
 THREADS PER HANDBOOK H-28
 DIMENSIONS ARE SHOWN AFTER PLATING

ANGLE:
± 1/2°

CHAMFER:
± 5°

TOLERANCE:
.X ± 0.1"
.XX ± 0.01"
.XXX ± 0.005"



MODEL: **LCF450**

DWG No.: **FO1345-A**

DRAWN BY: E. Pano

CREATED DATE: 4/8/2013

APPROVED BY: R. Walker

APPROVED DATE: 4/22/2013

CHECKED BY:

CAGE: 1X8M6 SHEET: 1 OF 1

REVISIONS: (Refer to dwg # revision sheet)

A 8/22/2013